

SIMPLICITY  
PRECISION  
QUALITY  
RELIABILITY



**Cinotech**  
Italiana srl



**Sea Gull**

SIMPLICITY  
PRECISION  
QUALITY  
RELIABILITY



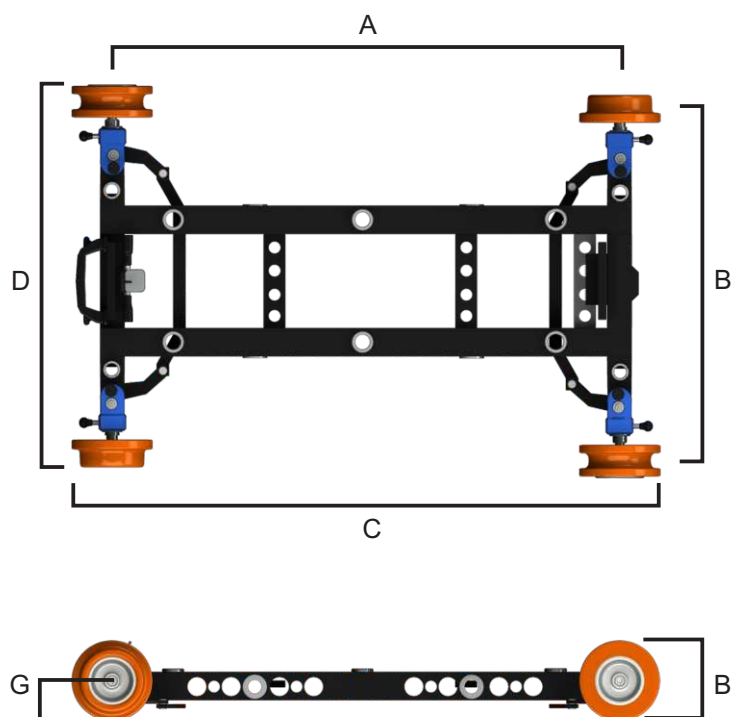
**Sea Gull** is the new product of Cinetech Italians S.R.L. This dolly is a hydraulic arm that can be mounted on a stable and light flat platform.

**Sea Gull** is a fruit of our twenty year experience in field of professional camera dolly manufacturing. This little dolly can support standard cameras operating it either on the track or with pneumatic wheels.

**Sea Gull** arm is built to be easy in maintenance and the incredible 30 Kg weight is a key benefit for those grips who are looking for a stable and professional product easy to carry on. Assembly and disassembly can be made in few minutes, thus saving time for the professionals on set. It can be operated without the platform, allowing the operator to use it in the narrow spaces.

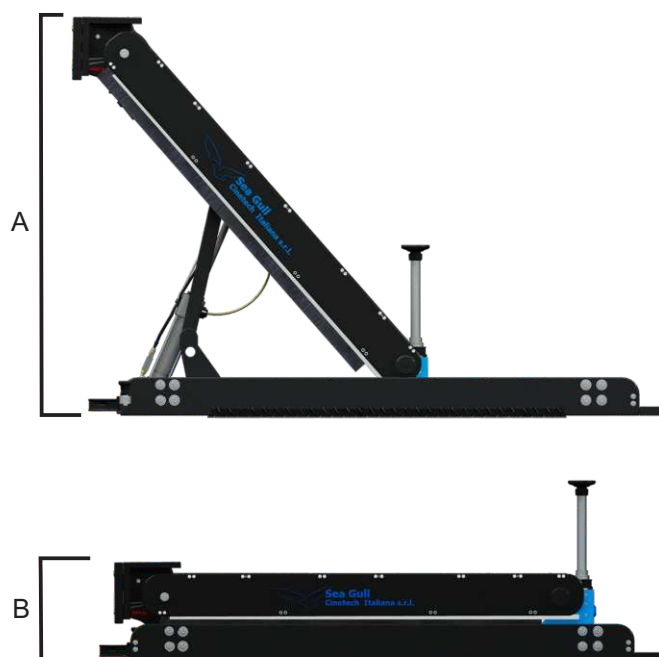
## Platform

Length:	A 90 cm 35.40 in
	C 110 cm 43.30 in
Width:	D 69 cm 27.16 in
Height:	E 19,5 cm 7,80 in
Track gauge:	B 62 cm 24,40 in
Weight:	30 Kg 66 lbs



## Arm

Power Supply:	Battery 24V
Lifting capacity:	30 Kg 66 lbs
Arm lifts:	6
Charge time:	45 sec.
Weight:	33 Kg 72.6 lbs
Max Height:	A 92 cm 36,22 in
Min Height:	B 27 cm 10,61 in
Arm Travel:	65 cm 25.60 in





**Swivel** is our brand new accessory. It allows two operators to seat close to the camera and to move around with the camera.

**Steering bar** angle position is adjustable with a fast system lock.

**Seagull's seats** are made with interchangeable brackets. This novelty helps to place the seats in the most comfortable position for the operator.



**Pneumatic wheels** Pneumatic wheels are supplied in order to ease up the movement of the Seagull on the uneven surface, making the travel smooth and steady.

**Hard wheels** have a particular shape – fruit of the efforts of our technical department. Those are mounted in the diagonal position on the flat platform, thus allowing the professional to use the Seagull on both straight & curved track. Important thing is that the friction is minimised.

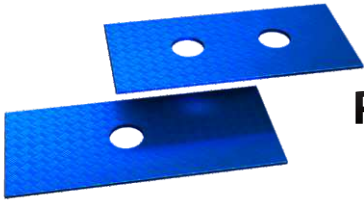
# ACCESSORIES



**SEAT**



**SWIVEL**



**PLATE JIB MODE**



**BOOM HANDLE**



**SEAT RISER**



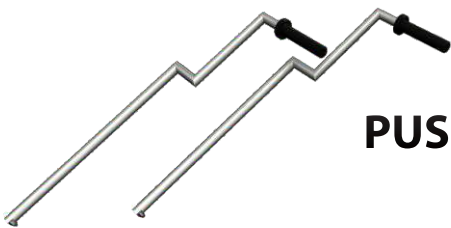
**SIDE BOARD**



**BAZOOKA ATTACHMENT**



**PNEUMATIC AND RIGID WHEELS**



**PUSH BAR**



**BATTERY 24V**



**BATTERY CHARGER**



**LOW MODE KIT**